



Revised 10/03/97

Spec. #421

Dwg. Y-3732

Y-4042

SPECIFICATIONS

WIDE-MOUTH CLOSED DOOR HORIZONTAL BALER MODEL 5042WM

APPLICATION:

Large Bulk Fiber Materials, such as Paper Wrapper, OCC and Furniture Containers

GENERAL SPECIFICATIONS:

Feed Opening:	49-1/2" x 40-1/2"
Charge Box:	50" x 42" x 66"
Charge Box Volume:	80 cf
Bale Chamber:	42" x 42"
Bale Size (unexpanded)	42" x 42" x 60"
Bale Weight:	Up to 1,700#

PRESSURE DATA:

Normal Operating Pressure:	3,000 P.S.I.
Compressing Force:	150,797
Unit Force Pressure:	91 P.S.I.
Main Cylinder:	8" Bore x 66" Stroke
Penetration:	16" into Baling Chamber

PERFORMANCE DATA: *

Model	5042WM815R	5042WM820R	5042WM830R
Horsepower	15	20	30
Regenerative Circuit	Yes	Yes	Yes
Gallons Per Minute	33	43	69
Cycle Time (in Seconds) **	27	22	15
Cycles Per Minute	2.2	2.7	4
Max. Displacement (CF/Hr)	10,500	12,900	19,000
Production ***			
at 1#/CF (Up to TPH)	1.3	1.6	2.3
at 2#/CF (Up to TPH)	2.1	2.5	3.8
at 3#/CF (Up to TPH)	2.3	2.9	4.2
Weight	18,500#	18,500#	18,500#

TECHNICAL DATA:

Compressing Cylinder:	8" I.D. Bore x 5-1/2" Rod x 66" Stroke
Maximum Cylinder Burst:	12,000# 4:1 Safety Factor
Type of Mount:	Trunnion Type
Motor:	T.E.F.C. 460V/3 Ph/60 Hertz
	Across the line starting standard
Hydraulic Circuit:	Hi-Lo Flooded Suction Pumping System
Filtration:	Combination of cleanable tank screens and magnets and 10 micron absolute return line filter. Clogged filter indicator warns of need to replace filter.
Oil Capacity:	160 U.S. Gallons
Operating Controls:	PLC
Tie:	4
Oil Cooler:	Optional

CONSTRUCTION:

Fabricated from heavy structural steel members, gusseted and braced as required. Fitted in jigs and fixtures for proper alignment. Abrasive resistant liner materials are used in wear areas.

LINERS:

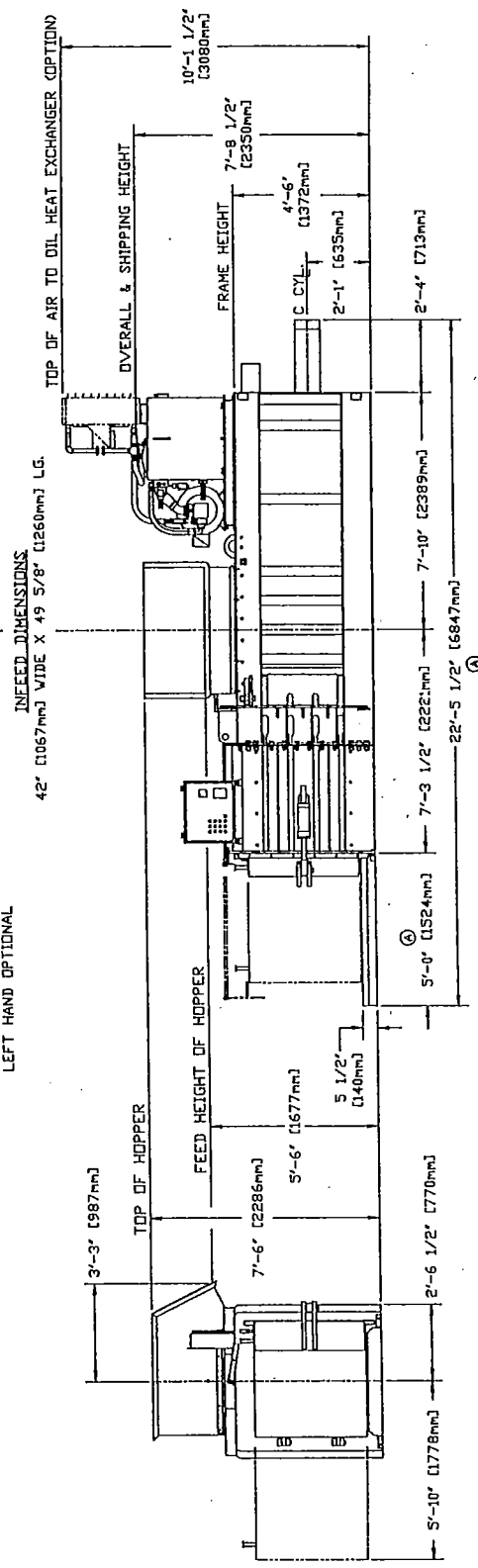
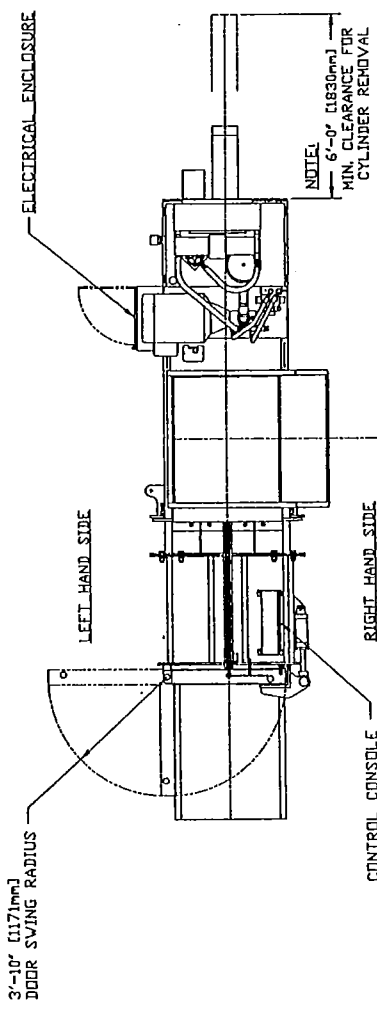
Replaceable liner plates and platen hold-downs made of abrasive resistant 320 Brinell Hardness materials.

SHEAR KNIVES: 3 Stage Cutting Edge, Replaceable

OTHER FEATURES:

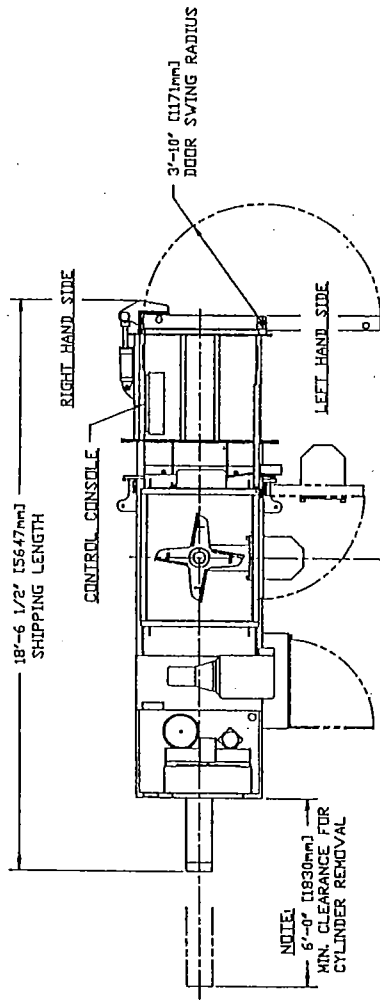
Bale Retainer Lock:	Spring Loaded - 3 each side of compressing chamber
Bale Size:	Length adjustable from 45" to 60"
Door Lock:	Combination hand wheel ratchet type

CUSTOMER PLEASE SPECIFY:
 1. POWER SUPPLY: VOLTS _____
 PHASE _____
 HERTZ _____
 2. CONSOLE: R.H. _____ L.H. _____

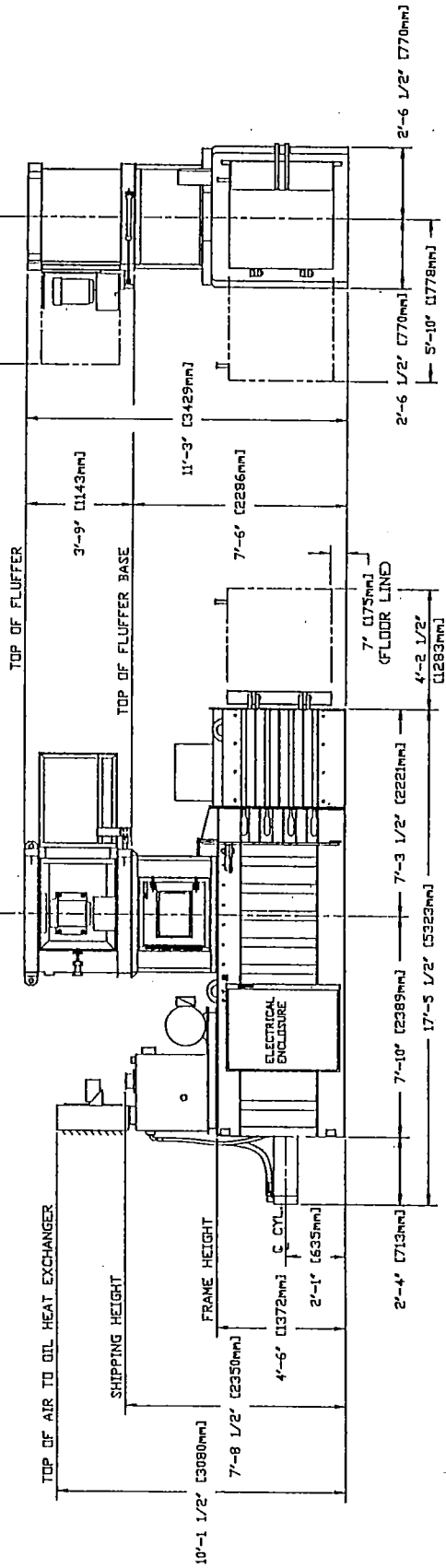


THE AMERICAN BALER COMPANY	5042R	INSTALLATION DWG. Y-3732
MAX. 4-30-91		
REVISED		
BOLING, OHIO 4811		

1	2	3	4	5	6	7	8	9	10	11	12	13	14	15	16	17	18	19	20	21	22	23	24	25	26	27	28	29	30	31	32	33	34	35	36	37	38	39	40	41	42	43	44	45	46	47	48	49	50	51	52	53	54	55	56	57	58	59	60	61	62	63	64	65	66	67	68	69	70	71	72	73	74	75	76	77	78	79	80	81	82	83	84	85	86	87	88	89	90	91	92	93	94	95	96	97	98	99	100
---	---	---	---	---	---	---	---	---	----	----	----	----	----	----	----	----	----	----	----	----	----	----	----	----	----	----	----	----	----	----	----	----	----	----	----	----	----	----	----	----	----	----	----	----	----	----	----	----	----	----	----	----	----	----	----	----	----	----	----	----	----	----	----	----	----	----	----	----	----	----	----	----	----	----	----	----	----	----	----	----	----	----	----	----	----	----	----	----	----	----	----	----	----	----	----	----	----	----	-----



FLUFFER INSIDE DIMENSIONS
40 1/2" (1029mm) WIDE X 49 1/2" (1257mm) LG.



DATE	DESCRIPTION	BY	CHKD
2-18-51	REVISED		
THE AMERICAN BALER COMPANY BELLING, OHIO 44811			
S042R V/FLUFFER INSTALLATION D.W.G. Y-4042			