



**Harris Waste
Management
Group, Inc.**

**HARRIS MODEL
HRB-511N
AUTOMATIC TWO-RAM BALING PRESS
GENERAL SPECIFICATION NUMBER 903001
REVISED 5/07/96**

***PERFORMANCE**

BALE SIZE 45 IN. WIDE X 30 IN. HIGH X 62 IN. LONG
BALE VOLUME 48.4 CUBIC FEET EXPANDED (APPROXIMATE)
CYCLE TIME STD. 50 HP 297 SECONDS (12 CYCLES PER HOUR) O.C.C.
 325 SECONDS (11 CYCLES PER HOUR) U.B.C.
 OPT. 75 HP 230 SECONDS (15 CYCLES PER HOUR) O.C.C.
 275 SECONDS (13 CYCLES PER HOUR) U.B.C.
 OPT. 100 HP 202 SECONDS (17 CYCLES PER HOUR) O.C.C.
 253 SECONDS (14 CYCLES PER HOUR) U.B.C.
CHARGING CHAMBER VOLUME 49 CUBIC FEET

MATERIAL	BALE WEIGHT	DENSITY LBS / CU.FT. LOOSE/BALED	STANDARD 50 HP TONS / HR	STANDARD 75 HP TONS / HR	OPTIONAL 100 HP TONS / HR
BULK OCC	UP TO 1350 LBS.	3 / 28	UP TO 6	UP TO 8	UP TO 10
NEWS	UP TO 1500 LBS.	8 / 31	UP TO 9	UP TO 11	UP TO 13
PET	UP TO 1000 LBS.	1 / 21	UP TO 4	UP TO 5	UP TO 5
WHOLE ALUM. CANS	UP TO 1100 LBS.	2 / 21	UP TO 4	UP TO 6	UP TO 7
STEEL CANS	UP TO 2000 LBS.	5 / 42	UP TO 9	UP TO 10	UP TO 12
SOLID WASTE	UP TO 2200 LBS.	10 / 45	UP TO 16	UP TO 20	UP TO 24

*PERFORMANCE RATES, BALE WEIGHTS, AND BALE DENSITIES ARE SUBJECT TO MOISTURE CONTENT, MATERIAL PRE-BALE DENSITIES, FEED RATES, AND OTHER VARIABLES IN BALING.

HYDRAULICS

MAIN PUMPS 106.5 GPM / 135 GPM (OPT. 75 HP) / 147 GPM AT 800 PSI (OPT. 100 HP)
SYSTEM PRESSURE SYSTEM IS RATED AT 3000 PSI MAXIMUM, AND OPERATED AT 93% OF THE MAXIMUM RATING
MAIN CYLINDER 10 IN. BORE, 110 TONS TOTAL FORCE
RAM FACE PRESSURE 183 PSI
EJECTOR CYLINDER 8 IN. BORE, 70 TONS TOTAL FORCE
OIL RESERVOIR 542 GALLON CAPACITY
OIL COOLER AIR-TO OIL EXCHANGER IS STANDARD
FILTRATION 10 MICRON REPLACEMENT ELEMENT FILTER

ELECTRICAL

MAIN MOTOR 50 HP, 460 VOLT, 3 PHASE
STRAPPER MOTOR 10 HP, C - FACE, 1750 RPM, 460 VOLT, 3 PHASE
COOLER MOTOR 5 HP, C - FACE, 1750 RPM, 460 VOLT, 3 PHASE
MOTOR TYPE TEFC, HIGH EFFICIENCY, ACROSS THE LINE STARTING IS STANDARD
CONTROLS UL AND CUL LISTED, AB SLC 500 (PROG. CONTROLLER)
 20 MATERIAL SELECTION AND SETUP WITH ALPHA/NUMERIC KEYPAD/DISPLAY
ELECTRICAL ENCLOSURES NEMA 12 RATED

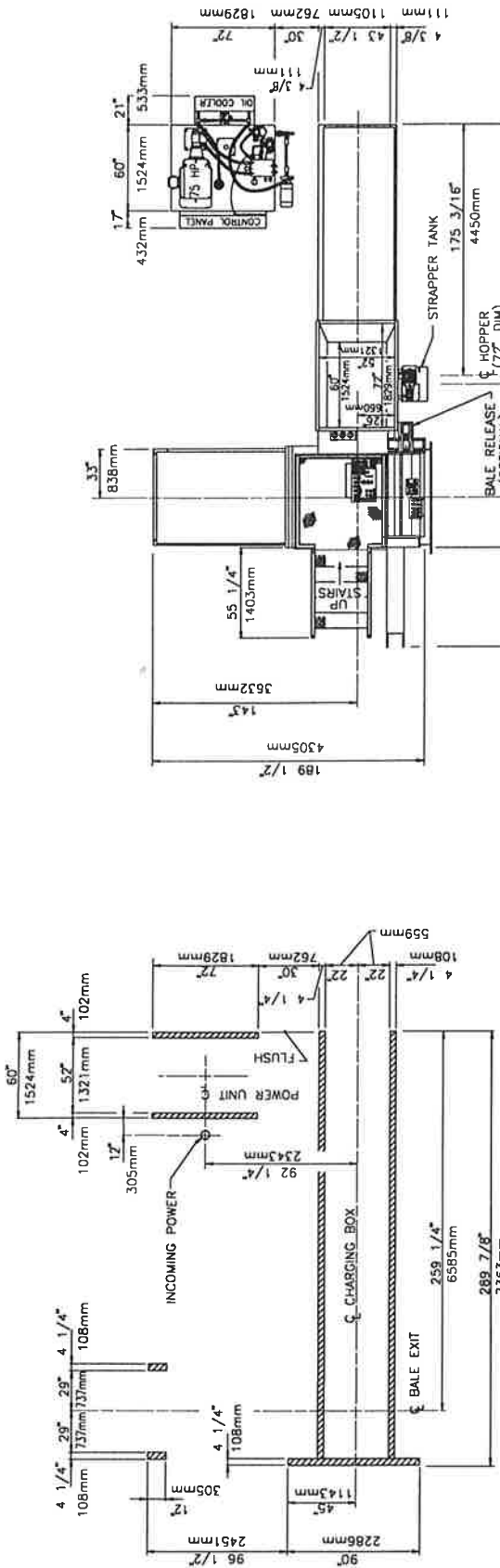
GENERAL SPECIFICATIONS

STRAPPER U.S. WIRE TIE MODEL 341 (STANDARD) (OTHER MAJOR BRANDS AVAILABLE)
SHIPPING WEIGHT 19 TONS (APPROXIMATE)

OPTIONS

REDUCED VOLTAGE STARTING
 REMOTE POWER UNIT
 BALE RELEASE
 BALE DOOR
 OPERATORS CABIN
 OPERATORS CABIN WITH HEATING AND AIR CONDITIONING
 NON-FERROUS LINERS : BALER AND RAM
 HOPPER EXTENSION
 DIVERTER
 UPPER PHOTO EYES
 NAVIGATOR CONTROL SYSTEM
 NAVIGATOR PLUS CONTROL SYSTEM
 BALE RUN OUT TABLE

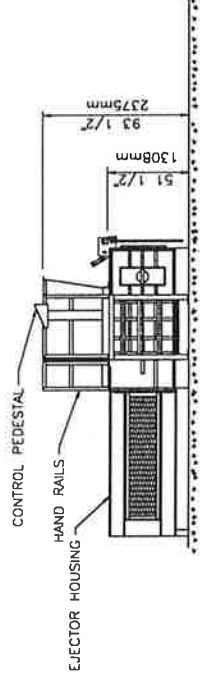
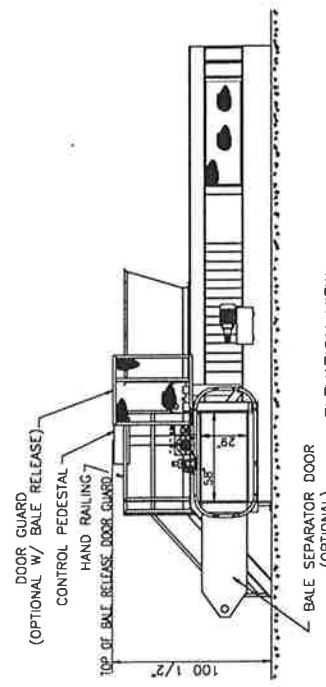
SPECIFICATIONS ARE SUBJECT TO CHANGE WITHOUT NOTICE.



LOAD BEARING SPECIFICATIONS

LOCATION	VERT. LOAD BEARING AREA
1	52,000 # 4,415 SQ IN

- 2- FOUNDATION WORK IS SHOWN FOR GENERAL CONCEPT AND CLEARANCE REQUIREMENTS ONLY. PURCHASER IS RESPONSIBLE FOR ADEQUATE STRUCTURAL DESIGN AND PROPER CONSTRUCTION OF SLABS, FOOTINGS, AND EMBEDDED ITEMS.
- 3- CONCRETE FLOOR SIZE TO BE DETERMINED BY PURCHASER.
- 4- DENOTES BEARING AREA.
- 5- SUBMIT COMPLETE POWER REQUIREMENTS FORM TO LOCAL ELECTRICAL CONTRACTOR FOR DETERMINATION OF INCOMING WIRE AND CONDUIT SIZE.



REV	DESCRIPTION	BY	DATE	JOB #	CUSTOMER	DEALER

FORM BR:	DATE:	DESCRIPTION:
VST	5/07/96	HRB-511N-BR/BD-75
APP BR:	DATE:	GENERAL ARRANGEMENT
SCALE:	NONE	FORMING:
SHEET:	1 OF 1	HRB-511N

PROPRIETARY DATA
This document is the property of Harris Waste Management Group, Inc., and contains confidential information. It is to be used only for the specific project and for authorized purposes only. Any reproduction or unauthorized use without the consent of Harris Waste Management Group, Inc. will be subject to legal action.
This drawing is representative of a standard model. The firm does not warrant or assume any liability for additional charges applied in the quoted price.