



BACE

BACE Vertical Baler V43DC

At 56,000 pounds of crushing force, the BACE V43DC can crush a steel drum down to a height of 4-6 inches tall. Simple pushbutton operation and automatic cycling makes this machine ideal for a military installation, a pharmaceutical processor or a manufacturing plant and recyclers.

This unit can convert into an inside-the-drum waste compactor by getting an extra compaction head sized for a 55-gallon drum. You have the option of doing this now or years down the road.

Drum Crusher Benefits

- *Reduces Storage Space up to 80%*
- *Save on Transportation Costs*
- *Safer Environment*
- *In Drum Packing for: Oil Filters, Screens, Smaller Drums or Containers*



Order Today: (877) 506-BACE
or visit us online at www.bacecorp.com

322 West 32nd Street
Charlotte, NC. 28206

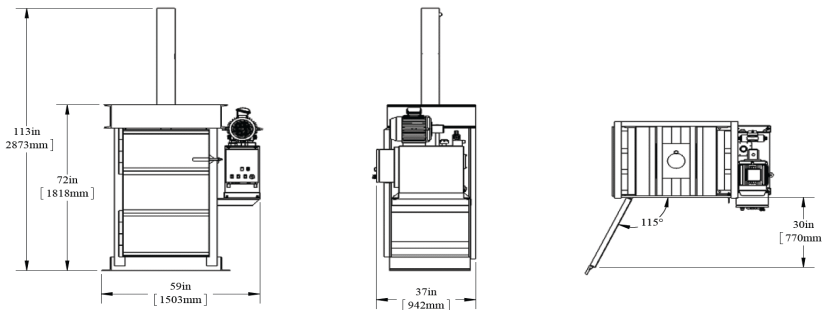
BACE Vertical Balers meet or exceed all existing ANSI & OSHA Safety Standards and are totally 100% ETL & CETL Approved.



LEARN MORE AT WWW.BACECORP.COM

Toll Free: (877) 506-BACE (2223) • Fax: (704) 394-2210
BACE equipment meets or exceeds ANSI standard Z245.5.

BACE Vertical Baler V43DC



The V43DC (Drum Crusher) is designed to compress a 55 Gallon Drum to 5" high.

The machine dimensions are 59" width, 37" depth, and 113" height.

SPECIFICATIONS	
PERFORMANCE	
Compact Force lbs - Normal / Maximum	56,548 / 62,202
Platen Pressure	40 PSI
Average Cycle Time	48 Seconds
HYDRAULIC / ELECTRICAL	
Motor HP	10
Voltage 3 Phase	208V, 230V, 480V
Full Load Amps (A = Amps)	30A, 28A, 14A
Pump GPM	10.5
Normal System Pressure PSI	2000
Max. System Pressure PSI	2200
Cylinder Bore	6"
Hydraulic Tank-Capacity Gallons	22
ADDITIONAL HYDRAULIC/ELECTRICAL CONFIGURATIONS ARE AVAILABLE. PLEASE CALL BACE FOR MORE INFORMATION.	

Highlights

- 56,000 hydraulic force for inside drum compaction/drum crushing
- 6" Cylinder
- Drum Piercing: Punch a hole through the top or all the way through the bottom
- ANSI Z245.5 Compliant - All balers meet or exceed ANSI Z245.5 safety standards.
- UL/CUL Listed Control Panels
- Oil Sight Gauge - Oil level at a glance
- Heavy Duty Controls - NEMA 4 rated pushbutton controls with key-lockable start switch

Available Options

- Alternative Compaction Head - (CH): Compact waste into the drum with the same machine
- Bolt-on-Crush Plate - (CP): For quick change-out between crushing and compacting
- Explosion-Proof Controls: non-sparking hydraulic or pneumatic control circuits
- Liquid Containment: Control spills or leftover residue
- RAM Bottom Lock Control: Keep plastic drums crushed
- Special Custom Options

Due to continual product improvement BACE reserves the right to change specifications without notice.

The information and pictures used in the document are for illustrative purposes only.

Printed on recycled paper.